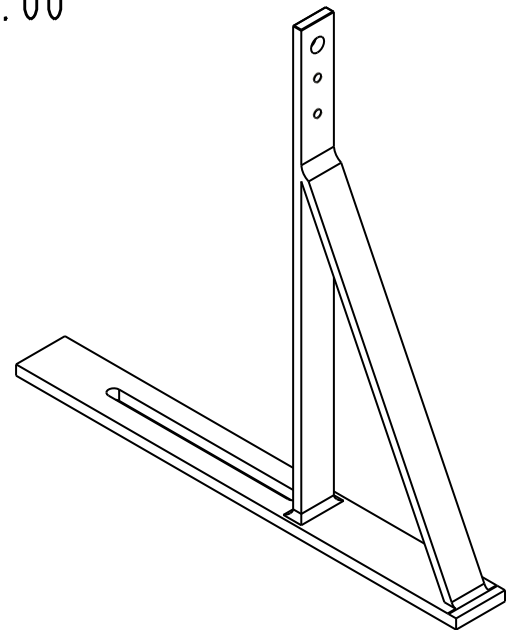
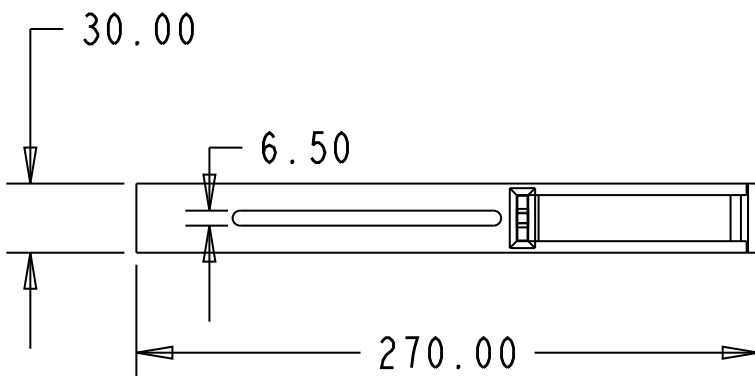
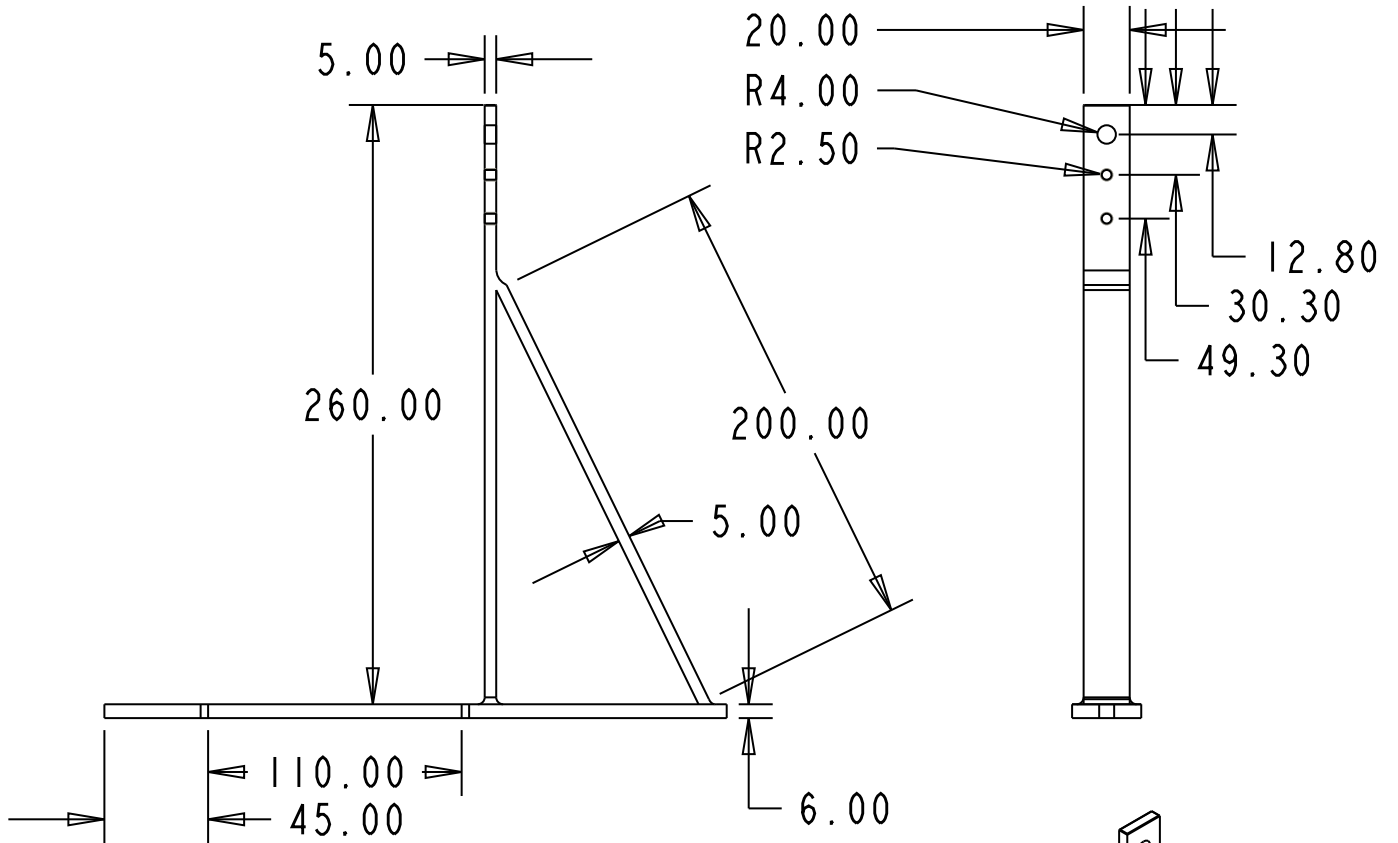
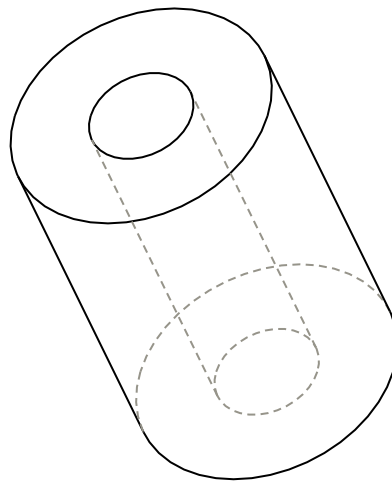
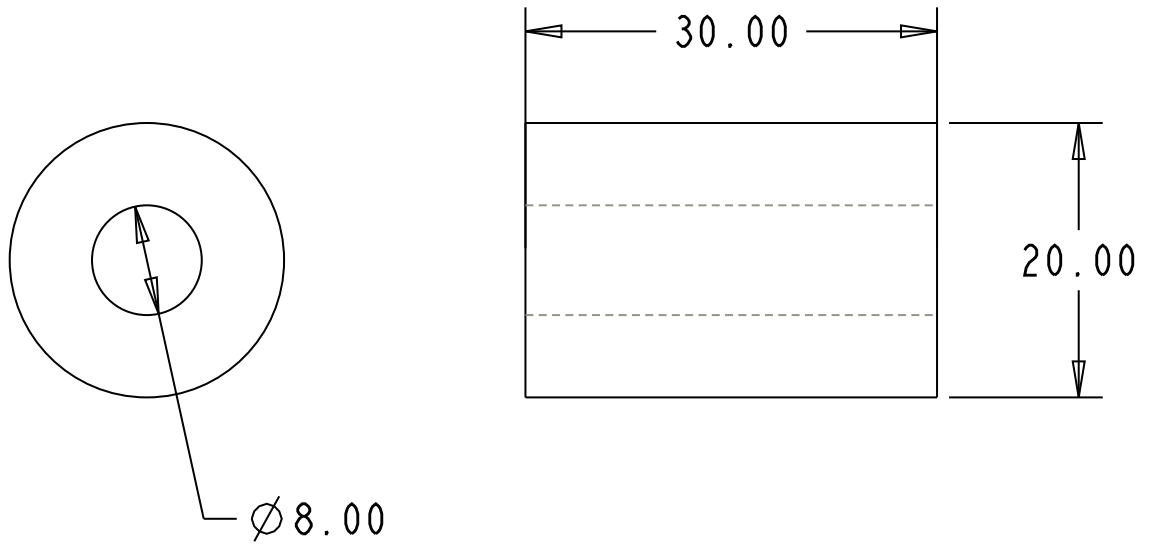


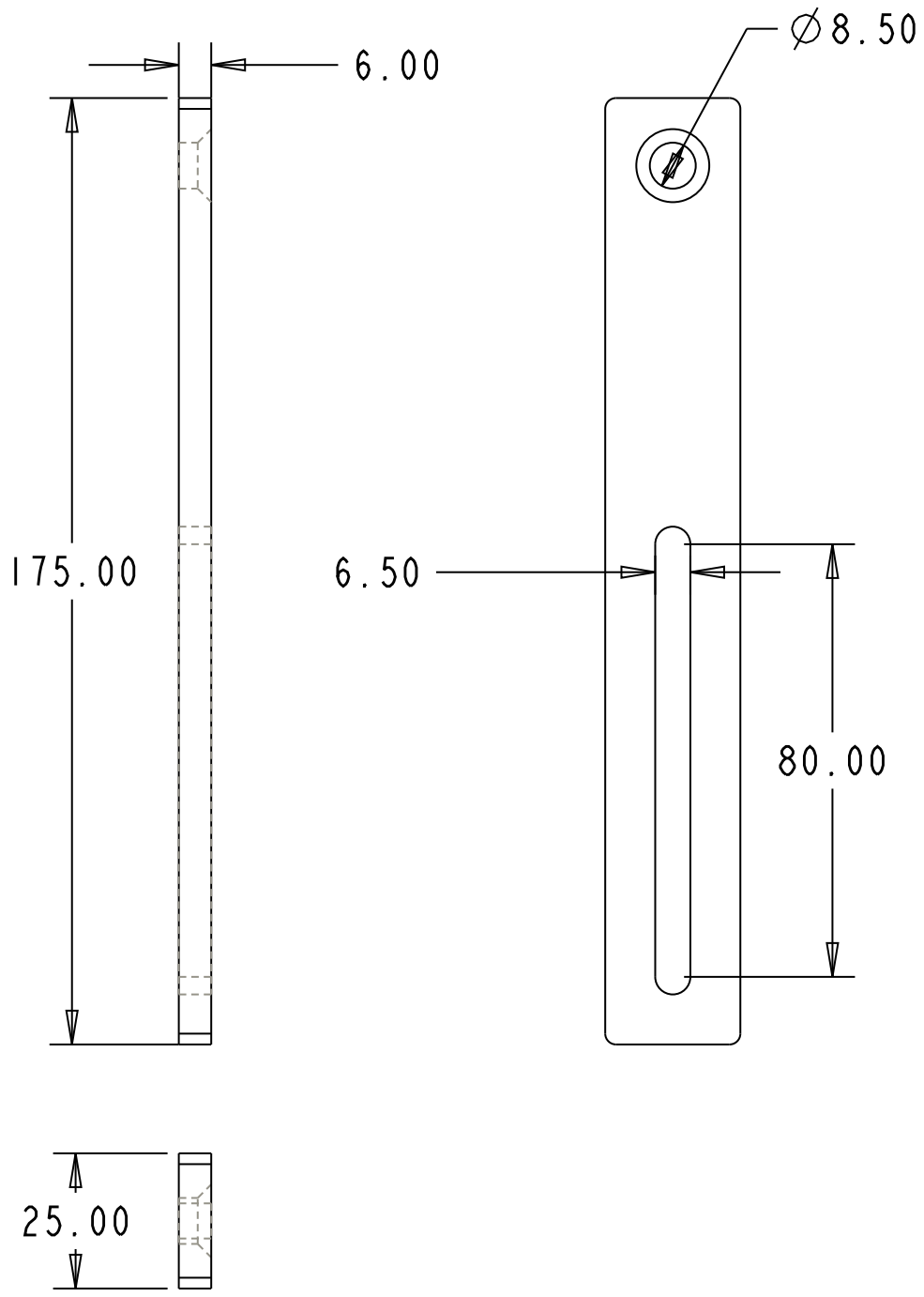
| | | | | | | | | | | |
|------|----------|-------|------|--------|---------|------------------|--|-------------------|---------|-------|
| | | | | | | Ausgabe | | | | |
| | | | | | | Datum 01.09.2011 | | | | |
| | | | | | | Maßstab | | Gewicht | | Kg |
| | | | | | | Norm | | Werkstoff | | |
| | | | | | | Form | | Abmessung | | |
| | | | | Datum | Name | | | | | |
| | | | | Bearb. | | | | | | |
| | | | | Gepr. | | | | | | |
| | | | | Norm | | | | | | |
| | | | | | | 4 | | | | Blatt |
| | | | | | | Formal | | Zeichnungs-Nummer | | |
| Zust | Änderung | Datum | Name | Urspr. | Ers. f. | | | | Ers. d. | |



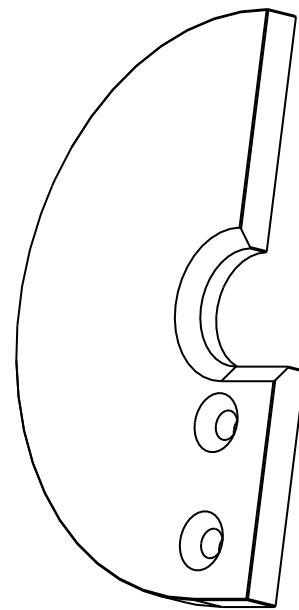
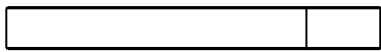
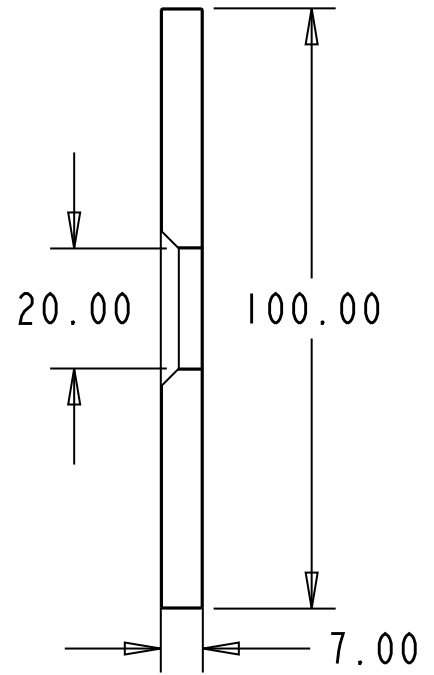
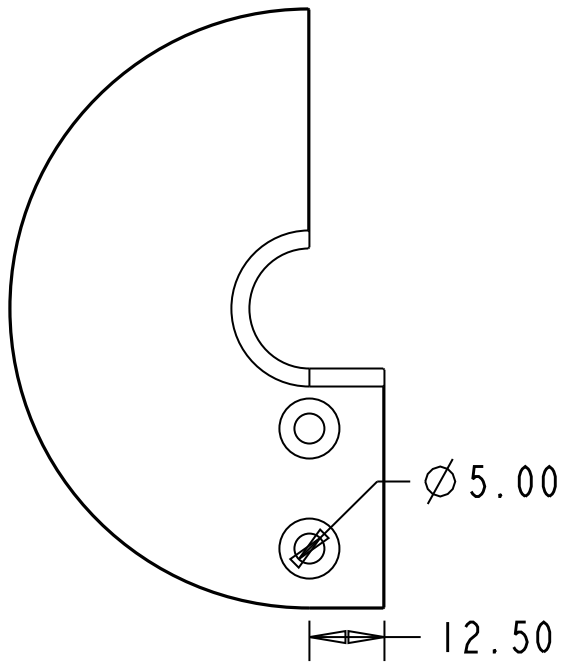
| | | | | | | | | | | |
|------|----------|-------|------|--------|---------|------------------|--|-----------|---------|-------------------|
| | | | | | | Ausgabe | | | | |
| | | | | | | Datum 01.09.2011 | | | | |
| | | | | | | Maßstab | | Gewicht | | Kg |
| | | | | | | Norm | | Werkstoff | | |
| | | | | | | Form | | Abmessung | | |
| | | | | Datum | Name | | | | | |
| | | | | Bearb. | | | | | | |
| | | | | Gepr. | | | | | | |
| | | | | Norm | | | | | | |
| | | | | | | 4 | | | | Blatt |
| | | | | | | Formal | | | | Zeichnungs-Nummer |
| Zust | Änderung | Datum | Name | Urspr. | Ers. f. | | | | Ers. d. | |



| | | | | | | | | | | |
|------|----------|-------|------|--------|-------|---------|--|-------------------|--|-------|
| | | | | | | | | | | |
| | | | | | | Ausgabe | | | | |
| | | | | | | Datum | | | | |
| | | | | | | Maßstab | | Gewicht | | Kg |
| | | | | | | Norm | | Werkstoff | | |
| | | | | | | Form | | Abmessung | | |
| | | | | | Datum | Name | | | | |
| | | | | Bearb. | | | | | | |
| | | | | Gepr. | | | | | | |
| | | | | Norm | | | | | | |
| | | | | | | | | | | Blatt |
| | | | | | | 4 | | | | |
| | | | | | | Formal | | Zeichnungs-Nummer | | |
| Zust | Änderung | Datum | Name | Urspr. | | Ers. f. | | Ers. d. | | |



| | | | | | | | | | | | | | |
|------|----------|-------|------|--------|------------|--|--------|---------------|---------|--|--|--|-------|
| | | | | | | | | | | | | | |
| | | | | | | | | Ausgabe | | | | | |
| | | | | | | | | Datum | | | | | |
| | | | | | | | | Maßstab | | | | | |
| | | | | | | | | Gewicht | | | | | |
| | | | | | | | | Kg | | | | | |
| | | | | | | | | Norm | | | | | |
| | | | | | | | | Werkstoff | | | | | |
| | | | | | | | | Stahl unverz. | | | | | |
| | | | | | | | | Form | | | | | |
| | | | | | | | | Abmessung | | | | | |
| | | | | | Datum | | Name | | | | | | |
| | | | | Bearb. | 06.10.2010 | | Bremer | | | | | | |
| | | | | Gepr. | | | | | | | | | |
| | | | | Norm | | | | | | | | | |
| | | | | | | | | | | | | | |
| | | | | | | | | | | | | | Blatt |
| | | | | | | | | | | | | | 1 |
| | | | | | | | | | | | | | |
| | | | | | | | | | | | | | |
| Zust | Änderung | Datum | Name | Urspr. | Ers. f. | | | | Ers. d. | | | | |



| | | | | | | | | | | |
|------|----------|-------|------|--------|---------|-------------------|--|-----------|---------|----|
| | | | | | | | | | | |
| | | | | | | Ausgabe | | | | |
| | | | | | | Datum | | | | |
| | | | | | | Maßstab | | Gewicht | | Kg |
| | | | | | | Norm | | Werkstoff | | |
| | | | | | | Form | | Abmessung | | |
| | | | | Datum | Name | | | | | |
| | | | | Bearb. | | | | | | |
| | | | | Gepr. | | | | | | |
| | | | | Norm | | | | | | |
| | | | | | | | | | | |
| | | | | | | Blatt | | | | |
| | | | | | | 4 | | | | |
| | | | | | | Formal | | | | |
| | | | | | | Zeichnungs-Nummer | | | | |
| Zust | Änderung | Datum | Name | Urspr. | Ers. f. | | | | Ers. d. | |